

M42x0.75

3mm

3.2mm

6mm

82mm

M54x0.75

Ø65mm; 120°

76mm

M42 extensions

1x4mm

1x7mm

1x15mm

2" adapter

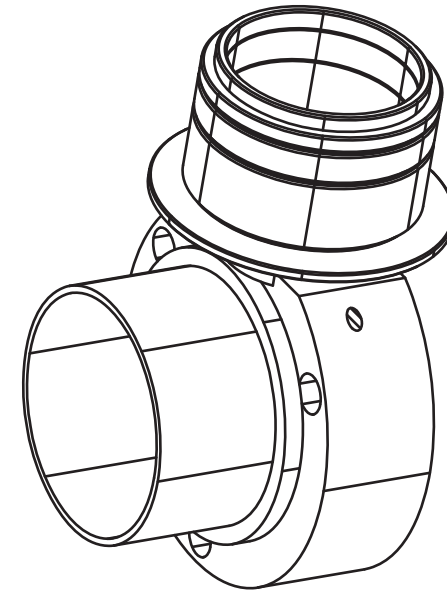
3mm

M54x0.75mm

Ø59.5mm

2.9mm

24mm



Mechanical drawing

Atik OAG